

# XC62RP

## Series



Positive Voltage Regulators for Voltage Reference Source

- ◆ CMOS Low Power Consumption
- ◆ Input-Output Voltage Differential : 140mV @ 300μA
- ◆ Maximum Output Current : 6.0mA (2.0V)
- ◆ Highly Accurate : ±2% (±1%)
- ◆ Output Voltage Range: 1.5V~3.5V
- ◆ No Load Power Consumption : 3.2μA (2.0V)
- ◆ SOT-23/SOT-89/TO-92 Package

### Applications

- Battery Powered Equipment
- Reference Voltage Sources
- Cameras and Video Recorders
- Palmtops

3

### General Description

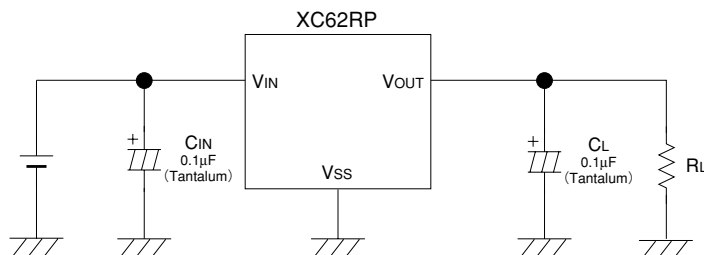
The XC62RP series are highly precise, low power consumption, positive voltage regulators, for voltage reference source, manufactured using CMOS and laser trimming technologies.

SOT-23 (150mW), SOT-89 (500mW) and TO-92 (300mW) packages are available.

### Features

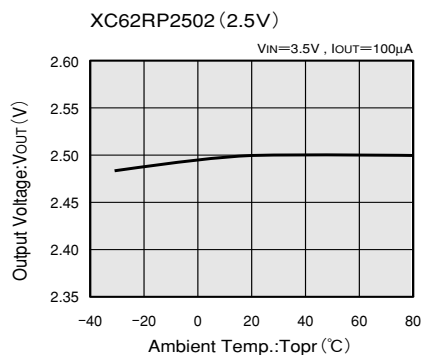
- Maximum Output Current** : 6.0mA (within max. power dissipation,  $V_{OUT}=2.0V$ )
- Output Voltage Range** : 1.5V ~ 3.5V in 0.1V increments
- Highly Accurate** : Set-up Voltage ±2% (±1% for semi-custom products)
- Low Power Consumption** : TYP 3.2μA ( $V_{OUT}=2.0$ )
- Output Voltage Temperature Characteristics** : TYP ±100ppm/°C
- Input Stability** : TYP 0.2%/V
- Ultra Small Packages** : SOT-23 (150mW) mini-mold  
SOT-89 (500mW) mini-power mold  
TO-92 (300mW)

### Typical Application Circuit

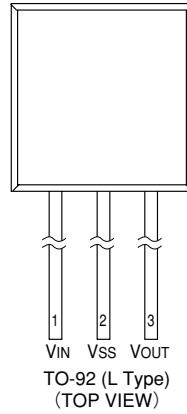
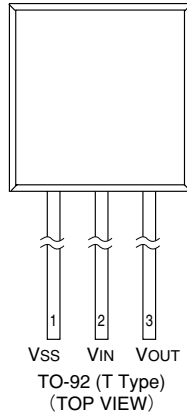
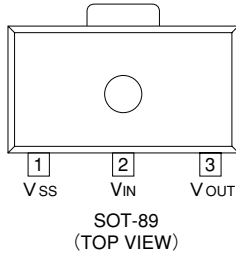
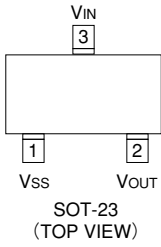


Please use with a load capacitance ( $C_L$ ) of less than 0.1μF.

### Typical Performance Characteristic



## Pin Configuration



3

## Pin Assignment

PIN NUMBER				PIN NAME	FUNCTION
SOT-23	SOT-89	TO-92 (T)	TO-92 (L)		
1	1	1	2	Vss	Ground
3	2	2	1	Vin	Supply Voltage Input
2	3	3	3	Vout	Output

## Product Classification

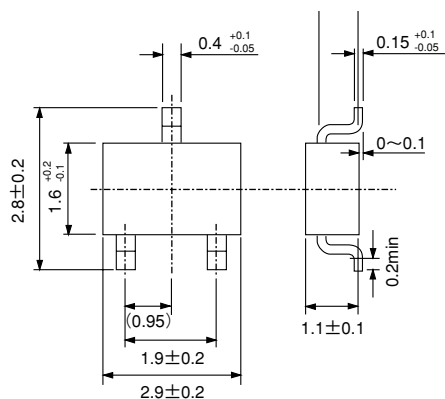
### Ordering Information

X C 6 2 R X X X X X X X  
 ↑ ↑ ↑ ↑ ↑ ↑  
 a b c d e f

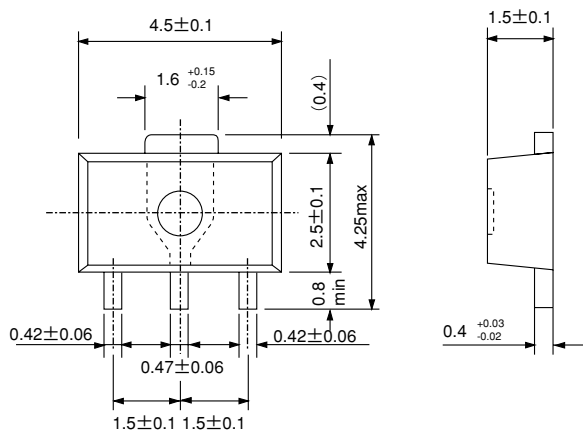
DESIGNATOR	DESCRIPTION	DESIGNATOR	DESCRIPTION
a	Polarity of Output Voltage: P: + (Positive)	e	Package Type M=SOT-23 P=SOT-89 T=TO-92 (Standard) L=TO-92 (Custom pin configuration)
b	Output Voltage 15=1.5V 30=3.0V		
c	Temperature Coefficients: 0=±100ppm (Typical)	f	Device Orientation R=Embossed Tape (Standard Feed) L=Embossed Tape (Reverse Feed) H=Paper Tape (TO-92) B=Bag (TO-92)
d	Output Voltage Accuracy: 1=±1.0% (Semi-custom) 2=±2.0%		

## ■ Packaging Information

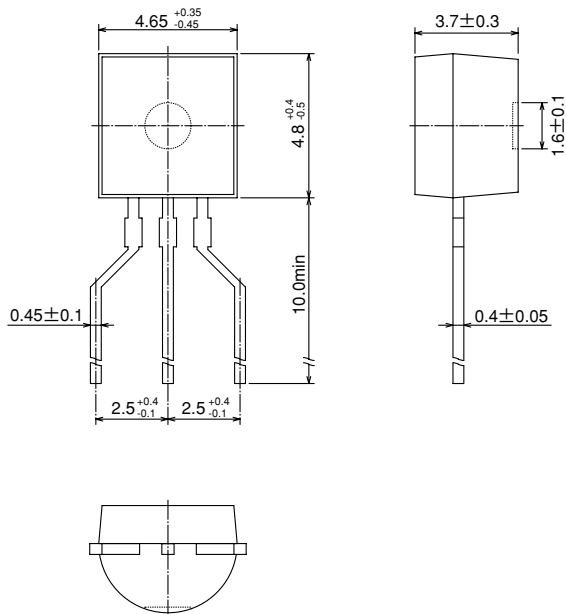
### ● SOT-23



### ● SOT-89



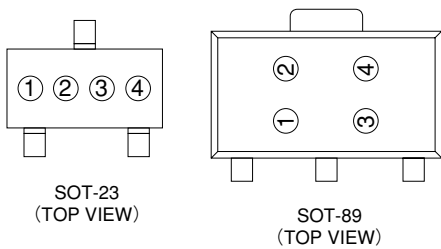
●TO-92



3

## ■Marking

●SOT-23, SOT-89



① Not Used.

② Represents the integer of the Output Voltage

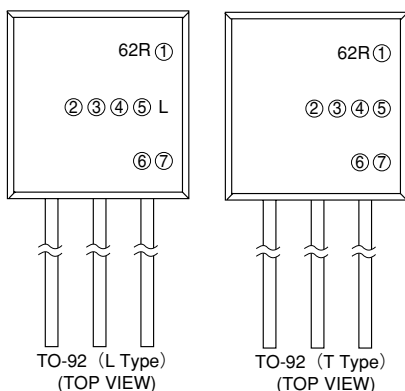
SYMBOL	VOLTAGE(V)
A	0.③
B	1.③
C	2.③
D	3.③

③ Represents the decimal number of the Output Voltage

SYMBOL	VOLTAGE(V)	SYMBOL	VOLTAGE(V)
A	②.0	F	②.5
B	②.1	H	②.6
C	②.2	K	②.7
D	②.3	L	②.8
E	②.4	M	②.9

④ Represents the assembly lot no.  
Based on internal standards

●TO-92



① Represents the polarity of Output Voltage

DESIGNATOR	CONFIGURATION
P	+

④ Represents the temperature characteristics

DESIGNATOR	TEMPERATURE CHARACTERISTICS
0	TPY±100ppm

⑤ Represents the Detect Voltage Accuracy

DESIGNATOR	DETECT VOLTAGE ACCURACY
1	within ±1% (semi-custom)
2	within ±2%

⑥ Represents a least significant digit of the produced year

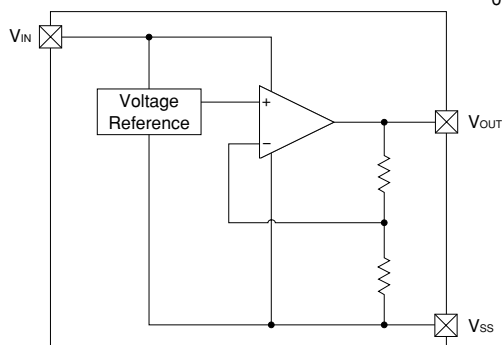
DESIGNATOR	PRODUCED YEAR
0	2000
1	2001

⑦ Denotes the production lot number  
0 to 9, A to Z repeated(G.I.J.O.Q.W excepted)

②③ Represents the Detect Voltage

DESIGNATOR		VOLTAGE (V)
②	③	
3	3	3.3
5	0	5.0

■Block Diagram



■Absolute Maximum Ratings

Ta=25°C

PARAMETER	SYMBOL	RATINGS	UNITS
Input Voltage	V <sub>IN</sub>	12	V
Output Current	I <sub>OUT</sub>	50	mA
Output Voltage	V <sub>OUT</sub>	V <sub>SS</sub> -0.3 ~ V <sub>IN</sub> +0.3	V
Continuous Total Power Dissipation	SOT-23	150	mW
	SOT-89	500	
	TO-92	300	
Operating Ambient Temperature	T <sub>opr</sub>	-30 ~ +80	°C
Storage Temperature	T <sub>stg</sub>	-40 ~ +125	°C

Note: I<sub>OUT</sub> must be less than Pd / (V<sub>IN</sub>-V<sub>OUT</sub>).

## Electrical Characteristics

XC62RP1602  $V_{OUT}(T)=1.6V$  (Note1)

$T_a=25^{\circ}C$

PARAMETER	SYMBOL	CONDITIONS	MIN	TYP	MAX	UNITS	CIRCUIT
Output Voltage	$V_{OUT}(E)$ (Note2)	$I_{OUT}=100\mu A$ $V_{IN}=2.6V$	1.568	1.600	1.632	V	1
Maximum Output Current	$I_{OUT\ max}$	$V_{IN}=2.6V, V_{OUT}(E) \geq V_{OUT}(T) \times 0.95$	4.0			mA	1
Load Stability	$\Delta V_{OUT}$	$V_{IN}=2.6V$ $100\mu A \leq I_{OUT} \leq 300\mu A$		20	40	mV	1
Input -Output Voltage Differential (Note3)	$V_{dif1}$	$I_{OUT}=100\mu A$		30	80	mV	1
	$V_{dif2}$	$I_{OUT}=300\mu A$		50	140	mV	1
Supply Current	$I_{SS}$	$V_{IN}=2.6V$		3.0	5.8	$\mu A$	2
Input Stability	$\frac{\Delta V_{OUT}}{\Delta V_{IN} \cdot V_{OUT}}$	$I_{OUT}=100\mu A$ $2.6V \leq V_{IN} \leq 6.0V$		0.2	0.3	%/V	1
Input Voltage	$V_{IN}$				6.0	V	—
Output Voltage Temperature Characteristics	$\frac{\Delta V_{OUT}}{\Delta T_{opr} \cdot V_{OUT}}$	$I_{OUT}=100mA$ $-30^{\circ}C \leq T_{opr} \leq 80^{\circ}C$		$\pm 100$		ppm/ $^{\circ}C$	1

XC62RP2002  $V_{OUT}(T)=2.0V$  (Note1)

$T_a=25^{\circ}C$

PARAMETER	SYMBOL	CONDITIONS	MIN	TYP	MAX	UNITS	CIRCUIT
Output Voltage	$V_{OUT}(E)$ (Note2)	$I_{OUT}=100\mu A$ $V_{IN}=3.0V$	1.960	2.000	2.040	V	1
Maximum Output Current	$I_{OUT\ max}$	$V_{IN}=3.0V, V_{OUT}(E) \geq V_{OUT}(T) \times 0.95$	6.0			mA	1
Load Stability	$\Delta V_{OUT}$	$V_{IN}=3.0V$ $100\mu A \leq I_{OUT} \leq 300\mu A$		20	40	mV	1
Input -Output Voltage Differential (Note3)	$V_{dif1}$	$I_{OUT}=100\mu A$		30	80	mV	1
	$V_{dif2}$	$I_{OUT}=300\mu A$		50	140	mV	1
Supply Current	$I_{SS}$	$V_{IN}=3.0V$		3.2	6.2	$\mu A$	2
Input Stability	$\frac{\Delta V_{OUT}}{\Delta V_{IN} \cdot V_{OUT}}$	$I_{OUT}=100\mu A$ $3.0V \leq V_{IN} \leq 6.0V$		0.2	0.3	%/V	1
Input Voltage	$V_{IN}$				6.0	V	—
Output Voltage Temperature Characteristics	$\frac{\Delta V_{OUT}}{\Delta T_{opr} \cdot V_{OUT}}$	$I_{OUT}=100mA$ $-30^{\circ}C \leq T_{opr} \leq 80^{\circ}C$		$\pm 100$		ppm/ $^{\circ}C$	1

**XC62RP2502**  $V_{OUT}(T)=2.5V$  (Note1)

 $T_a=25^{\circ}C$ 

PARAMETER	SYMBOL	CONDITIONS	MIN	TYP	MAX	UNITS	CIRCUIT
Output Voltage	$V_{OUT}(E)$ (Note2)	$I_{OUT}=100\mu A$ $V_{IN}=3.5V$	2.450	2.500	2.550	V	1
Maximum Output Current	$I_{OUT\ max}$	$V_{IN}=3.5V, V_{OUT}(E)\geq V_{OUT}(T)\times 0.95$	8.0			mA	1
Load Stability	$\Delta V_{OUT}$	$V_{IN}=3.5V$ $100\mu A\leq I_{OUT}\leq 300\mu A$		20	40	mV	1
Input -Output Voltage Differential (Note3)	$V_{dif1}$	$I_{OUT}=100\mu A$		30	80	mV	1
	$V_{dif2}$	$I_{OUT}=300\mu A$		50	140	mV	1
Supply Current	$I_{SS}$	$V_{IN}=3.5V$		3.5	6.8	$\mu A$	2
Input Stability	$\frac{\Delta V_{OUT}}{\Delta V_{IN} \cdot V_{OUT}}$	$I_{OUT}=100\mu A$ $3.5V\leq V_{IN}\leq 6.0V$		0.2	0.3	%/V	1
Input Voltage	$V_{IN}$				6.0	V	—
Output Voltage Temperature Characteristics	$\frac{\Delta V_{OUT}}{\Delta T_{opr} \cdot V_{OUT}}$	$I_{OUT}=100mA$ $-30^{\circ}C\leq T_{opr}\leq 80^{\circ}C$		$\pm 100$		ppm/ $^{\circ}C$	1

**3**
**XC62RP3002**  $V_{OUT}(T)=3.0V$  (Note1)

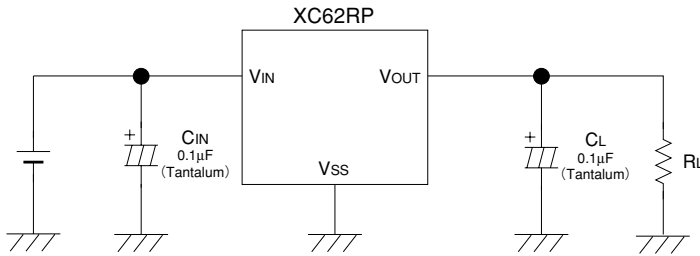
 $T_a=25^{\circ}C$ 

PARAMETER	SYMBOL	CONDITIONS	MIN	TYP	MAX	UNITS	CIRCUIT
Output Voltage	$V_{OUT}(E)$ (Note2)	$I_{OUT}=100\mu A$ $V_{IN}=4.0V$	2.940	3.000	3.060	V	1
Maximum Output Current	$I_{OUT\ max}$	$V_{IN}=4.0V, V_{OUT}(E)\geq V_{OUT}(T)\times 0.95$	10.0			mA	1
Load Stability	$\Delta V_{OUT}$	$V_{IN}=4.0V$ $100\mu A\leq I_{OUT}\leq 300\mu A$		20	40	mV	1
Input -Output Voltage Differential (Note3)	$V_{dif1}$	$I_{OUT}=100\mu A$		30	80	mV	1
	$V_{dif2}$	$I_{OUT}=300\mu A$		50	140	mV	1
Supply Current	$I_{SS}$	$V_{IN}=4.0V$		3.8	7.3	$\mu A$	2
Input Stability	$\frac{\Delta V_{OUT}}{\Delta V_{IN} \cdot V_{OUT}}$	$I_{OUT}=100\mu A$ $4.0V\leq V_{IN}\leq 6.0V$		0.2	0.3	%/V	1
Input Voltage	$V_{IN}$				6.0	V	—
Output Voltage Temperature Characteristics	$\frac{\Delta V_{OUT}}{\Delta T_{opr} \cdot V_{OUT}}$	$I_{OUT}=100mA$ $-30^{\circ}C\leq T_{opr}\leq 80^{\circ}C$		$\pm 100$		ppm/ $^{\circ}C$	1

- Note:
- $V_{OUT}(T)$ =Specified Output Voltage .
  - $V_{OUT}(E)$ =Effective Output Voltage (i.e. the output voltage when " $V_{OUT}(T)+1.0V$ " is provided at the  $V_{IN}$  pin while maintaining a certain  $I_{OUT}$  value).
  - $V_{dif} = \{V_{IN1} \text{ (Note5)} - V_{OUT1} \text{ (Note4)}\}$
  - $V_{OUT1}$ = A voltage equal to 98% of the Output Voltage whenever an amply stabilised  $I_{OUT}$  ( $V_{OUT}(T)+1.0V$ ) is input.
  - $V_{IN1}$ = The Input Voltage when  $V_{OUT1}$  appears as Input Voltage is gradually decreased.

## Typical Application Circuit

### Standard Circuit



Please use with a load capacitance ( $C_L$ ) of less than  $0.1\mu\text{F}$ .

3

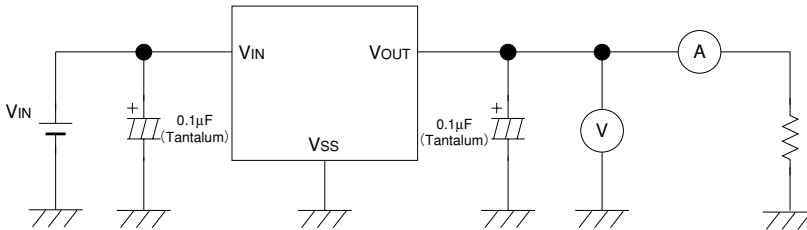
## Directions for use

### Notes on Use

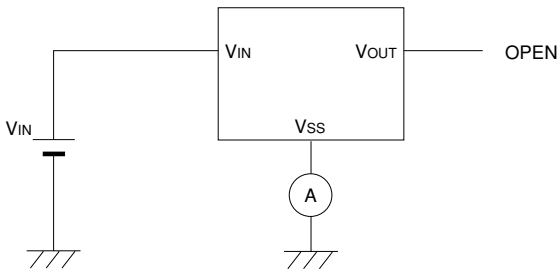
1. Please use with a load capacitance,  $C_L$ , of less than  $0.1\mu\text{F}$  and in  $0.01\mu\text{F}$  steps.
2. Since short-circuit protection is not built-in, the IC may be damaged by rush current should the output pin be connected to the Ground pin.
3. When the load capacitance,  $C_L$ , is small, overshoot will be produced when the power is switched on.
4. As the output pin's current is only a few  $\mu\text{A}$ , output voltage will increase should output be pulled-up by means of a resistor.

## Test Circuits

### Circuit 1



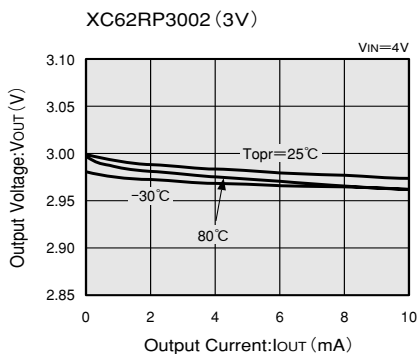
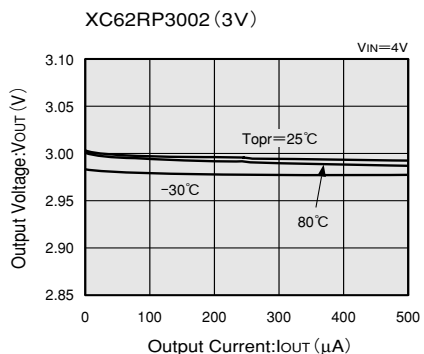
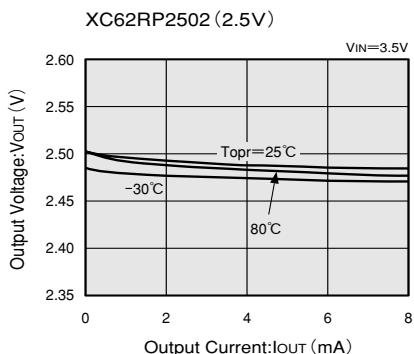
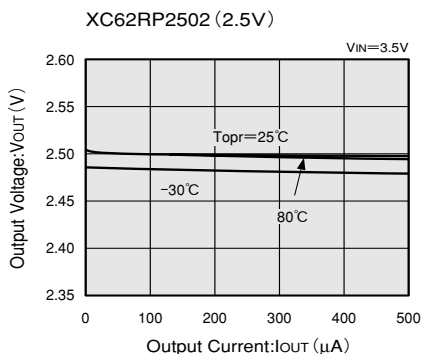
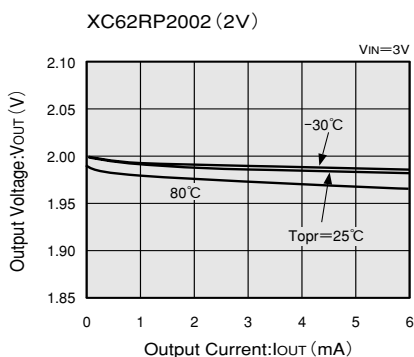
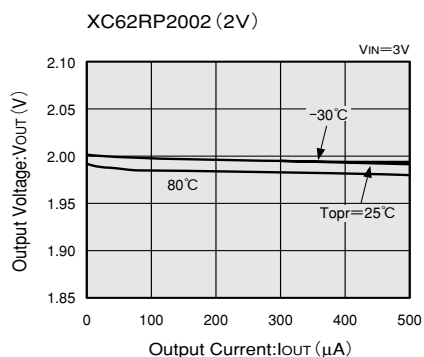
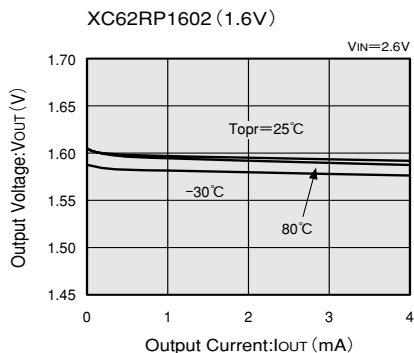
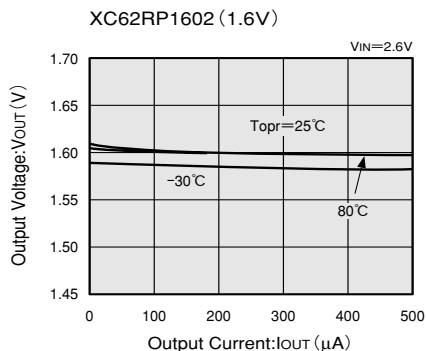
### Circuit 2





## Typical Performance Characteristics

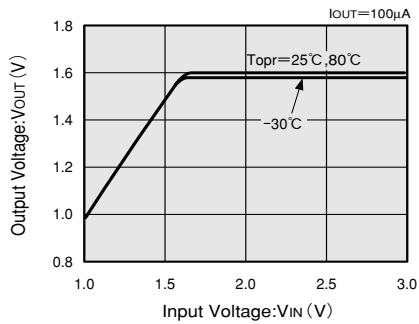
### (1) OUTPUT VOLTAGE vs. OUTPUT CURRENT



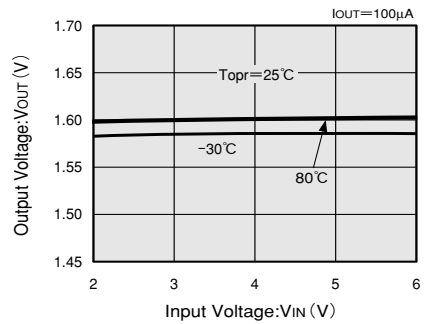
## (2) OUTPUT VOLTAGE vs. INPUT VOLTAGE

3

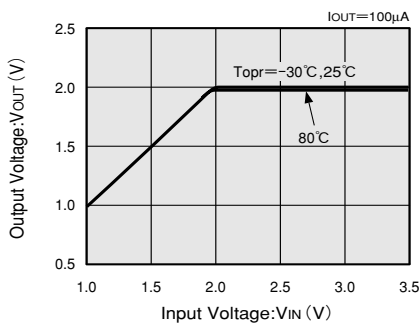
XC62RP1602 (1.6V)



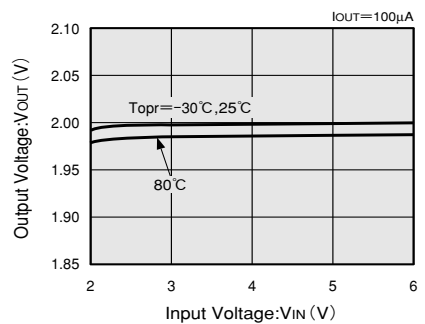
XC62RP1602 (1.6V)



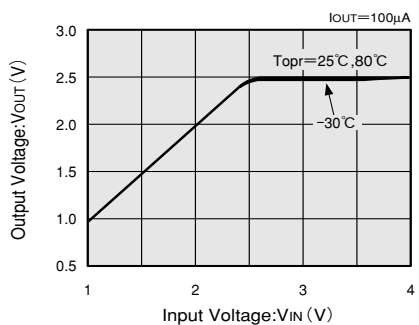
XC62RP2002 (2V)



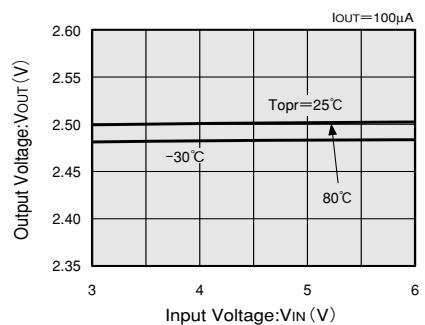
XC62RP2002 (2V)



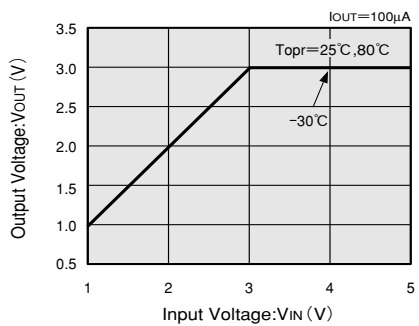
XC62RP2502 (2.5V)



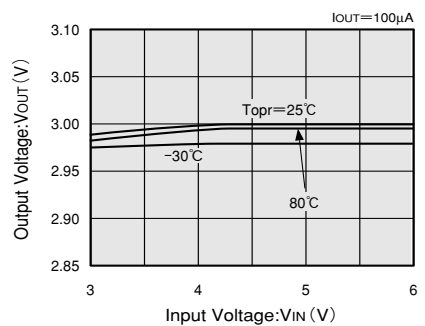
XC62RP2502 (2.5V)



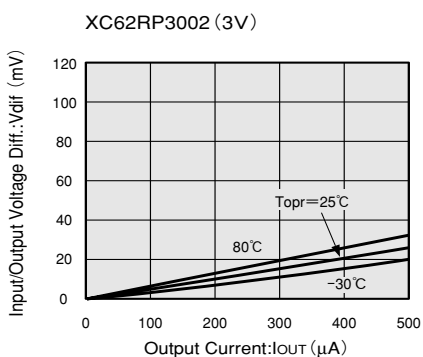
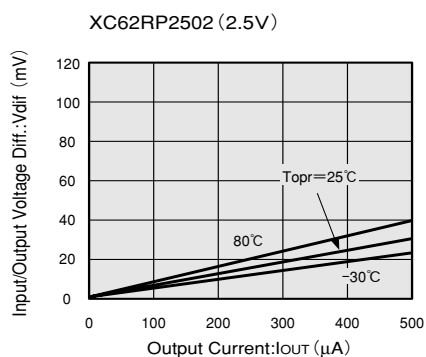
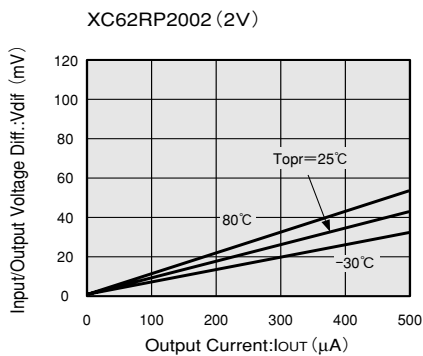
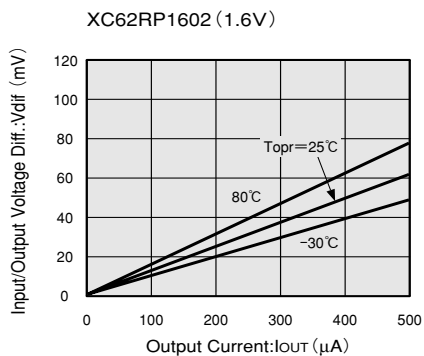
XC62RP3002 (3V)



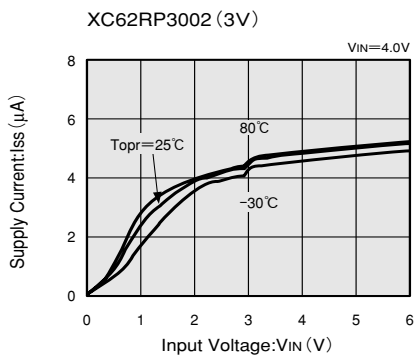
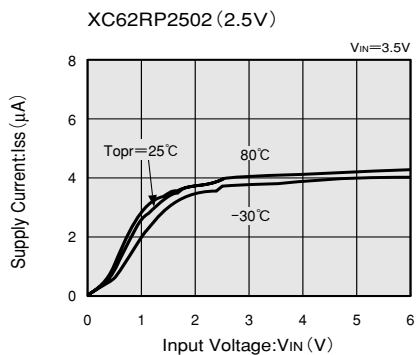
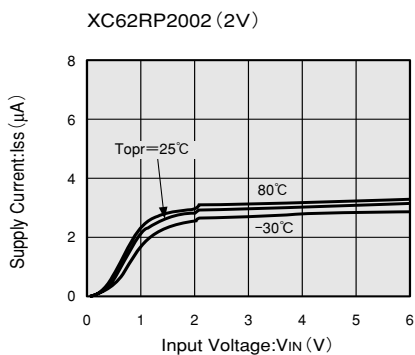
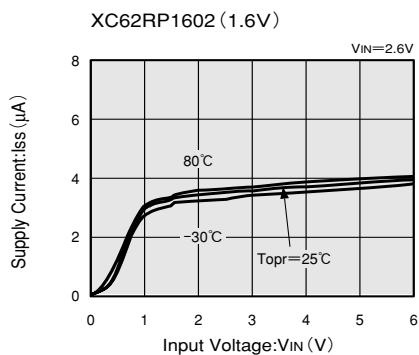
XC62RP3002 (3V)



**(3) INPUT/OUTPUT VOLTAGE DIFFERENTIAL vs. OUTPUT CURRENT**

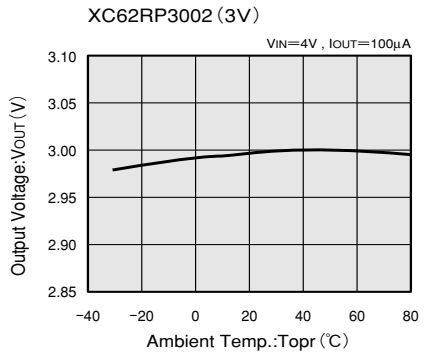
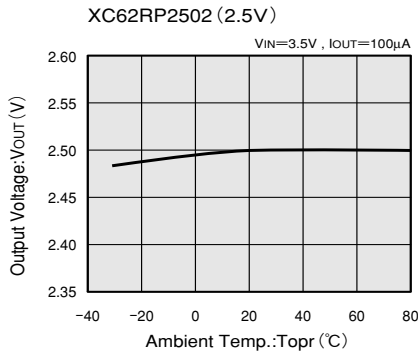
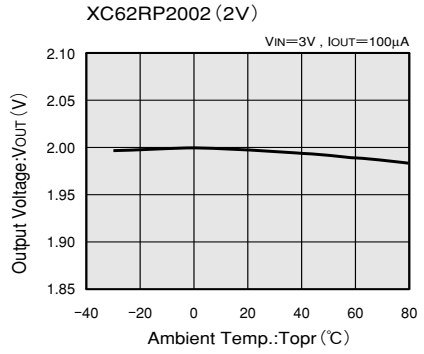
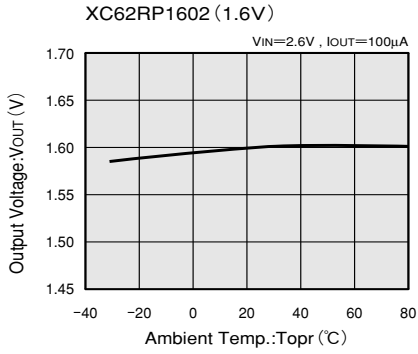


**(4) SUPPLY CURRENT vs. INPUT VOLTAGE**

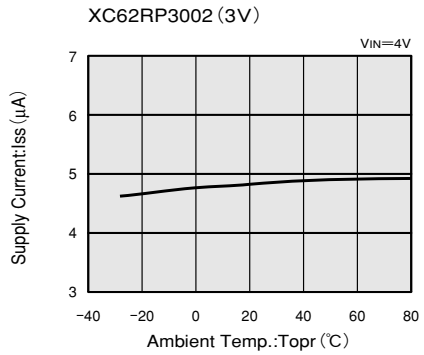
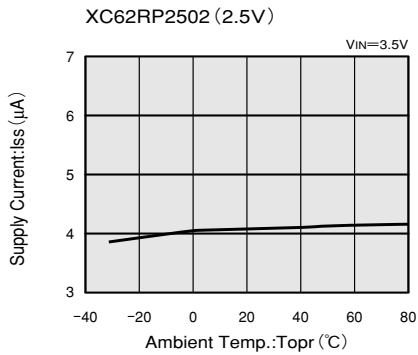
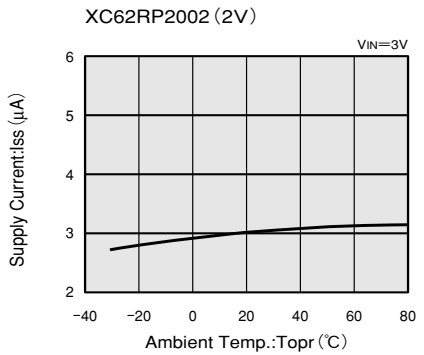
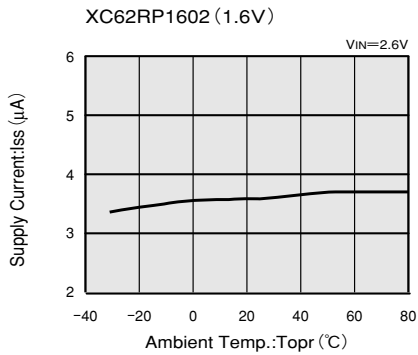


**3**

## (5) OUTPUT VOLTAGE vs. AMBIENT TEMPERATURE

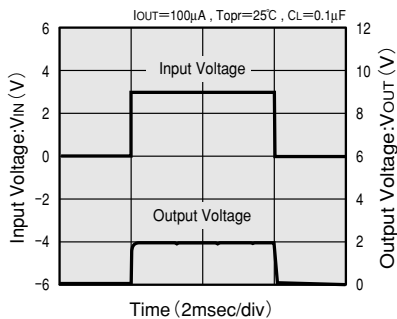


## (6) SUPPLY CURRENT vs. AMBIENT TEMPERATURE

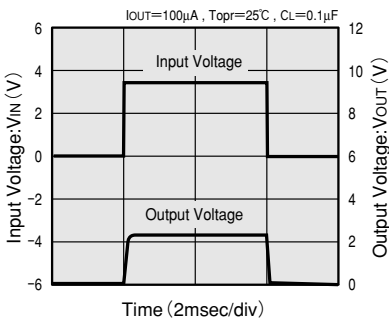


**(7) INPUT TRANSIENT RESPONSE 1**

XC62RP2002 (2V)

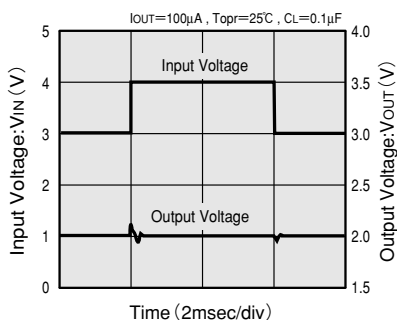


XC62RP2502 (2.5V)

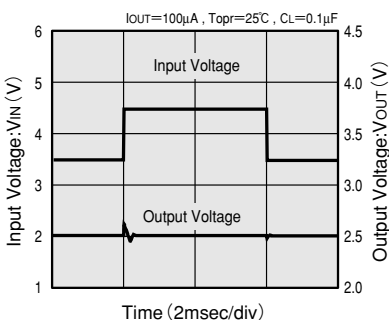


**(8) INPUT TRANSIENT RESPONSE 2**

XC62RP2002 (2V)

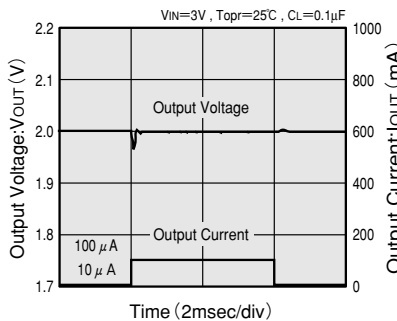


XC62RP2502 (2.5V)

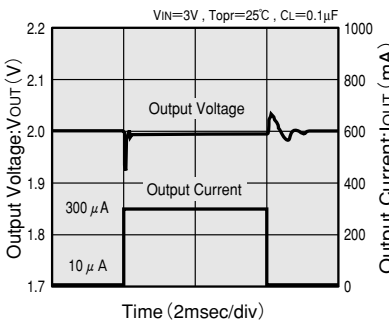


**(9) LOAD TRANSIENT RESPONSE**

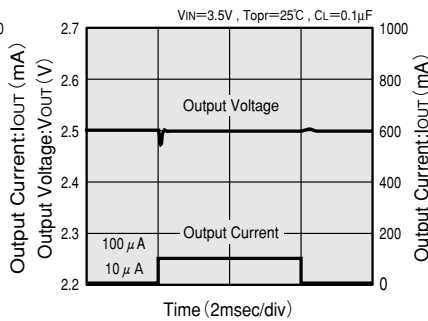
XC62RP2002 (2V)



XC62RP2002 (2V)

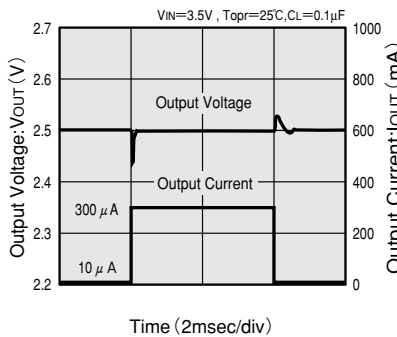


XC62RP2502 (2.5V)



**(10) RIPPLE REJECTION**

XC62RP2502 (2.5V)



XC62RP2502 (2.5V)

